

TECHNICAL DATA : SMV 60-1500 B

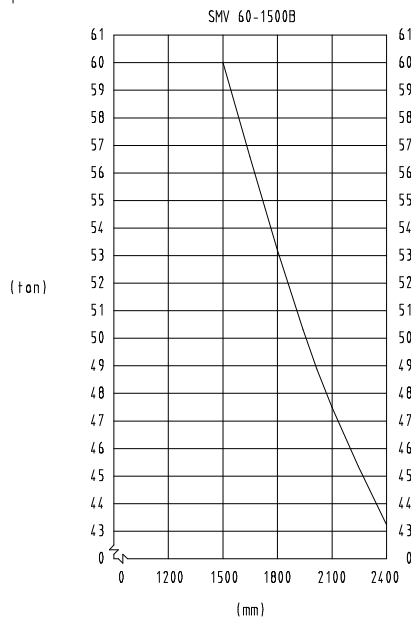
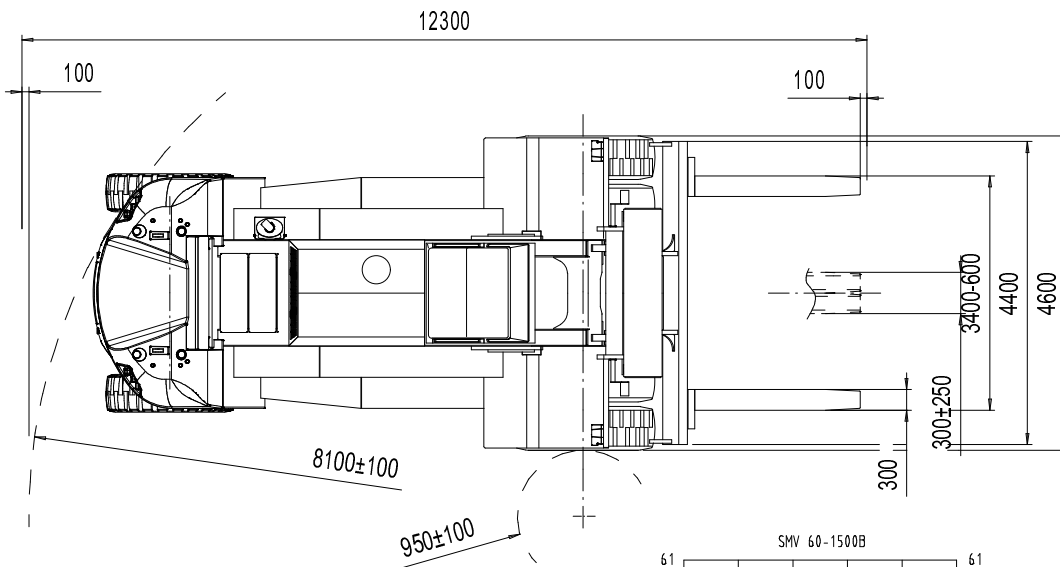
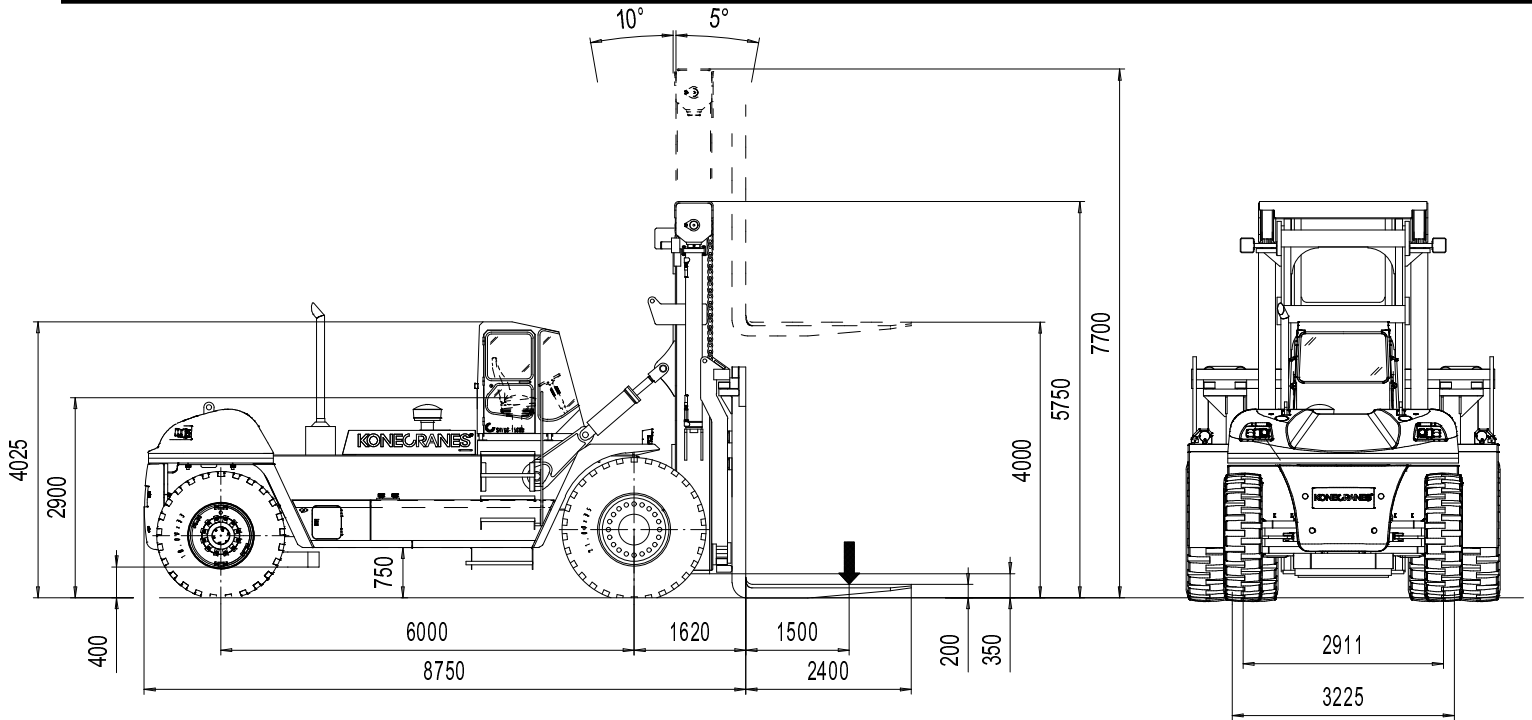
| | | |
|--|------------|--|
| LIFTING DATA | | |
| Lifting capacity / Load center (up to 6000 mm / standard mast) | kg / mm | 60000 / 1500 |
| Lifting speed, unloaded / at rated load | m/s | 0,21 / 0,16 |
| Lowering speed, unloaded / at rated load | m/s | 0,22 / 0,26 |
| DRIVING DATA | | |
| Drive speed forward, unloaded / at rated load | km/h | 29 / 22 |
| Drive speed reverse, unloaded / at rated load | km/h | 29 / 22 |
| Incline (driving ability) at rated load at 0 km/h/at 2 km/h | % | 23 / 17 |
| Towing (power ability) at rated load at 0 km/h/at 2 km/h | kN | 360 / 275 |
| SERVICE WEIGHT / AXLE PRESSURE | | |
| Service weight | kg | 89600 |
| Axle pressure front, unloaded / at rated load | kg | 48300 / 139600 |
| Axle pressure rear, unloaded / at rated load | kg | 41300 / 10000 |
| ENGINE (electronic controlled) | | |
| Engine make / model name | | Scania DI-12-56A |
| Emission approval EU / US | | St II / Tier 2 |
| Monitoring / emission controlled / CanBus | | Yes / yes / yes |
| Fuel / type of engine / intercooler | | Diesel/4-stroke/ yes |
| Power ISO 3046 / at speed | kW / rpm | 294 / 2100 |
| Torque ISO 3046 / at speed | Nm / rpm | 1800 / 1200 |
| Displacement / No. of cylinders / type | L / / | 11,7 / 6-cyl / Inline |
| Fuel consumption, normal driving | L/h | 18 – 20 |
| Alternator, type/power | W / Amp | AC / 1820 / 65 |
| Starting battery, voltage/capacity | V / Ah | 2 x 12 / 140 |
| TRANSMISSION (electronic controlled) | | |
| Transmission make / model name | | Dana TE-32400 |
| Monitoring / reverse protection / CanBus | | Yes / yes / yes |
| Clutch, type | | Torque converter |
| Transmission type / type of shift gear | | Softshift – Powershift / Automatic |
| No. of gears, forward/reverse | | 4 / 4 |
| DRIVE AXLE & STEER SYSTEM | | |
| Drive axle make / model name | | Kessler D111 |
| Drive axle type / drive axle width | / mm | Differential + hub reduction / 4600 |
| Service brake system, type / affected wheels | | Oil cooled Wet Disc Brakes / drive wheels |
| Parking brake system, type / affected wheels | | Dry disc brake / spring release / drive wheels |
| STEER AXLE & STEER SYSTEM | | |
| Steer axle make / type | | Konecranes / double acting single cylinder |
| Steering system | | Hydraulic servo assisted / power steering |
| WHEELS | | |
| Number of wheels, front+rear / Type (*driven) | | 4*+2 / pneumatic |
| Tire pressure front / rear | MPa | 1,0 / 1,0 |
| Tire dimensions (Ply rating) front / rear | Inch (No) | 21.00 x 35" (PR 40) / 18.00 x 33" (PR 36) |
| Rim dimension front / rear | Inch | 15.00 x 35" / 13.00 x 33" |
| HYDRAULIC SYSTEM | | |
| Hydraulic pump make / model name | | Parker & Hannifin / P2-series |
| Hydraulic system / pump type | | Load sensing system / variable piston pump |
| Power-on-demand / Low energy | | Yes / yes |
| Hydraulic oil pressure mast | MPa | 24 |
| TANK VOLUMES | | |
| Diesel tank volume | L | 550 |
| Hydraulic tank volume | L | 650 |
| LIFTING EQUIPMENT | | |
| Lift mast make / model | | Konecranes / Duplex standard |
| Lift mast type / design | | 2-stage / free visibility |
| Fork carriage make / model | | Konecranes / integral double forks |
| Fork carriage type | | Hydraulic side shift & fork positioning |
| OTHERS | | |
| Noise level (inside Cab / Lm) DIN 45635 | dB(A) | 73 |
| Noise level (inside Cab/ LpAZ) EN 12053 | dB(A) | 76 |
| Noise level (outside at 7 m/ Lwa) 2000/14/EC | dB(A) | 112 |
| NORMS & STANDARDS | | |
| Machine Directive in Europe | 98 / 37 EC | Yes |
| Stability of Industrial Trucks | ISO 1074 | Yes |
| Safety of Industrial Trucks | EN 1551 | Yes |

TECHNICAL DATA

SMV 60-1500 B

KONECRANES®

Lifting Businesses™



KONECRANES LIFTTRUCKS AB

Box 103, SE-28523 Markaryd, SWEDEN

Phone: +46-433-733 00 / Fax: +46-433-733 10

www.konecraneslifttrucks.se

Mail: info.lifttrucks@konecranes.com

Konecranes Lifttrucks reserve the right to alter design and specification without prior notice